

Specification of: DDM 280/204 E6G3706 3F 4P 1V +SCT == 6N02121

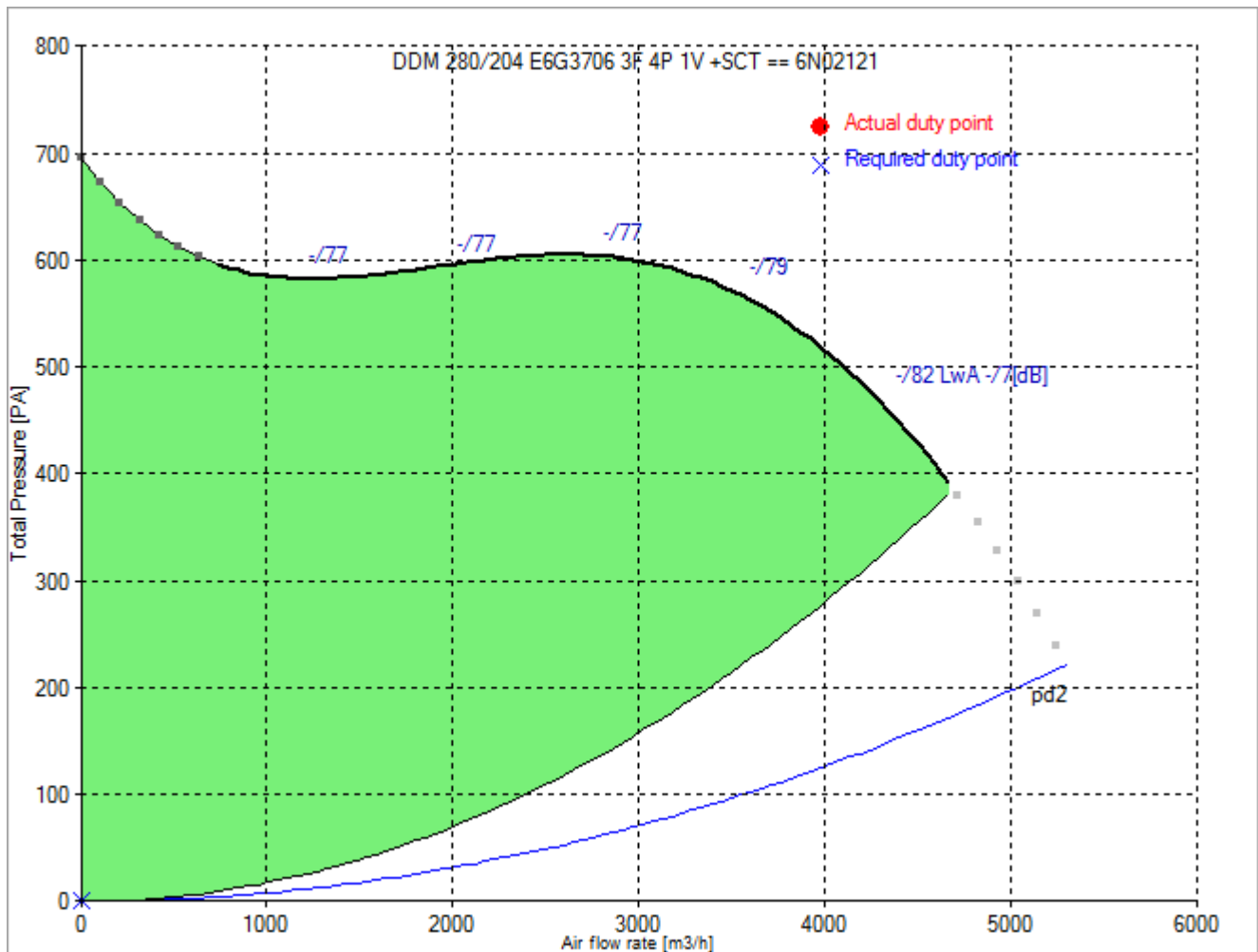
High performance centrifugal fan DDM

Double width, double inlet (DWDI), direct drive, forward curved blades fan. Spot-welded scroll of galvanised steel plate. Straight cut off plate at fan discharge. Impeller with forward curved blades of galvanised steel plate, directly mounted on a "External Rotor" motor for no transmission losses. Closed (IP 55) frame, three-phase, voltage controllable motor, usable at 400 V, 50 Hz. Built-in thermal protection device available as option. Maintenance free, integral vibration isolators, self aligning ball bearings. Dynamically balanced according to DIN ISO 21940-11. With mounted terminal box. Air performance ratings according to AMCA 210-99 (Fig. 12), UNI 10531 (Fig 30c and par. 29.2 f) and ISO 5801 (Fig. 69 c and par. 30.2 f).

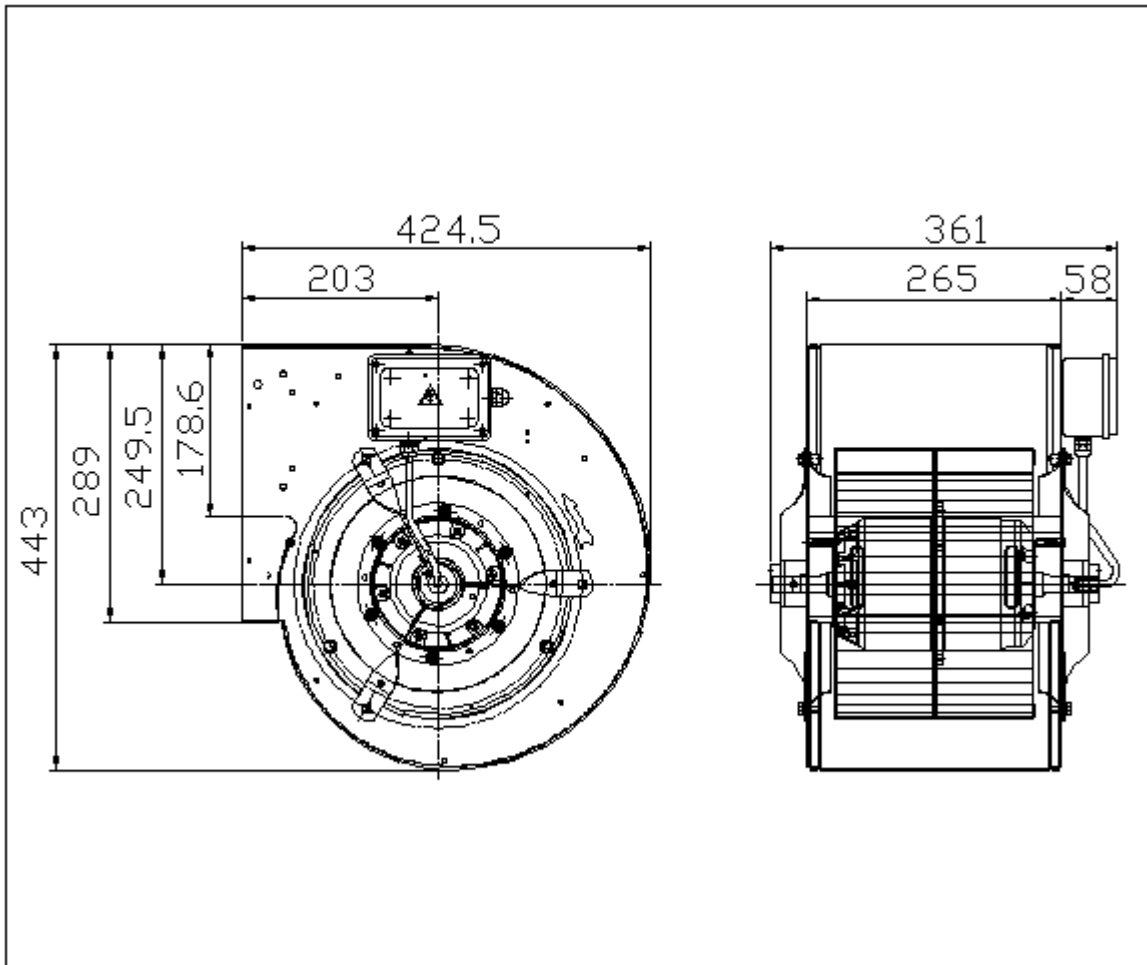
Technical data of the fan: DDM 280/204 E6G3706 3F 4P 1V +SCT == 6N02121 [fulfills the ErP requirements 2015](#)

Description	Value Dimension
Specified duty point	
Actual duty point	
Installation acc. DIN 24163 Part 1	B
Reference density (Rho1)	1.20 kg/m ³
Medium temperature (t)	20 C
Fan weight	23 kg
Rated data	
Phases-Voltage-Frequency	3~400 D-50 V-Hz
Number of poles:	4
Motor rating (P _N)	0.75 kW
Rated motor speed (n _N)	1370 min ⁻¹
Rated motor current (I _N)	3,1 A
operational limits	
Max. absorbed power (P _{1max})	1.924 kW
Temperature range of conveying medium (t _{min} ... t _{max})	-20...40 C
ErP-Data at best efficiency and density - kg/m³	
measurement- / efficiency category	B / total
design status of VSD	without VSD
overall efficiency (ETA _{opt})	47.8 %
achieved efficiency grade (N _{ist})	54.6
required efficiency grade in 2013 / 2015 (N)	42 / 49
Air flow rate (V _{opt})	2424 m ³ /h
pressure rise (dp _{opt})	611 Pa
Fan speed (n _{vopt})	1370 min ⁻¹
motor power input (P _{1opt})	0.860 kW
specific ratio (d _{dpopt})	1.006

Fan curve to DDM 280/204 E6G3706 3F 4P 1V +SCT == 6N02121



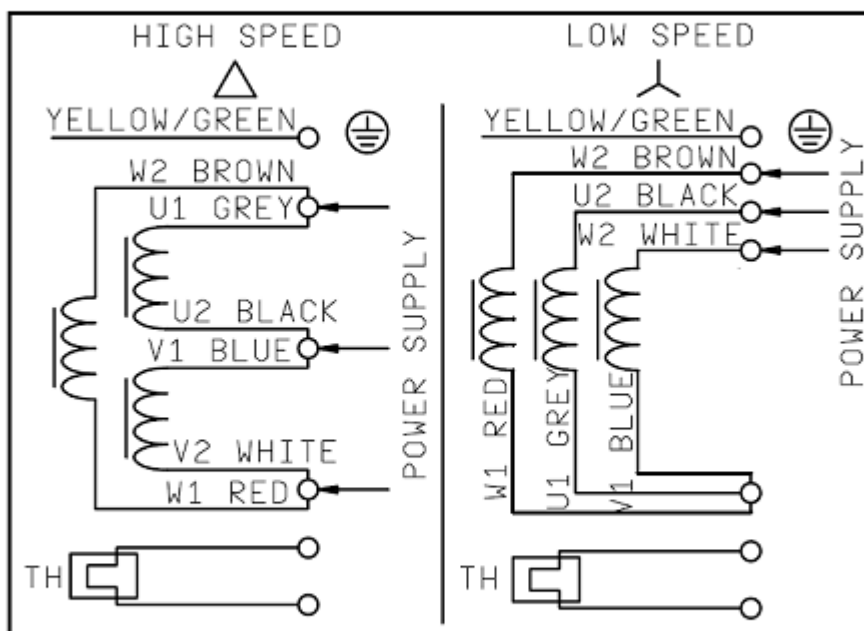
Dimensions to DDM 280/204 E6G3706 3F 4P 1V +SCT == 6N02121



Rotation:
Handing:

RD
90

Wiring diagram of the fan DDM 280/204 E6G3706 3F 4P 1V +SCT == 6N02121



30-03-2006 69

Wiring diagram for connection to: [mains - terminal box - motor](#)
 Rotation: [LG](#)